

NK-200E-v

FULLY HYDRAULIC TRUCK CRANE

جرثقیل پارمیس



NOTE: KATO PRODUCTS AND SPECIFICATIONS ARE SUBJECT TO IMPROVEMENTS AND CHANGES WITHOUT NOTICE.



KATO WORKS CO.,LTD.

9-37, Higashi-ohi 1-chome, Shinagawa-ku, Tokyo 140, Japan
Tel. : Head Office. Tokyo (03) 3458-1111
Overseas Marketing Department Tokyo (03)3458-1115
Telex : 222-4519 (CRKATO J)
Fax. : Tokyo (03) 3458-1151
Cable : CRANEKATO TOKYO

MNK200Ev 1-2
E227(Hp)Printed in Japan



جرتقیل پارمیس

• 10.5 m ~ 26.2 m Boom



26.2 m Boom + 7.5 m Jib
(Offset 5°)



26.2 m Boom + 7.5 m Jib
(Offset 17°)



26.2 m Boom + 7.5 m Jib
(Offset 30°)

RATED LIFTING CAPACITY

Based on

BS 1757 : 1986
DIN 15019-2
75% of tipping loads

Note: Front jack is optional.

Outriggers fully extended with front jack Outriggers fully extended without front jack				Outriggers intermediately extended without front jack Outriggers fully extended without front jack			
Working radius (m)	- 360° full range - over side and over rear			Working radius (m)	- 360° full range - over front		
	10.5 m Boom	18.3 m Boom	26.2 m Boom		10.5 m Boom	18.3 m Boom	26.2 m Boom
2.5	20.00			2.5	20.00		
3.0	20.00			3.0	20.00		
3.5	17.50	12.00		3.5	17.50	12.00	
4.0	15.50	12.00		4.0	15.20	12.00	
4.5	13.90	12.00		4.5	11.65	12.00	
5.0	12.50	12.00	7.00	5.0	9.70	10.20	7.00
5.5	10.70	10.50	7.00	5.5	8.00	8.60	7.00
6.0	9.50	9.50	7.00	6.0	6.80	7.35	7.00
6.5	8.50	8.60	7.00	6.2	6.50	7.00	7.00
7.0	7.70	7.90	7.00	7.0	5.25	5.50	5.70
7.5	6.95	7.25	6.50	7.5	4.55	4.80	5.00
8.0	6.25	6.75	6.05	8.0	3.90	4.25	4.40
8.5	5.60	6.25	5.60	8.5	3.35	3.75	3.90
9.0		5.75	5.30	9.0		3.35	3.45
9.5		5.35	5.00	10.0		2.65	2.80
10.0		4.90	4.75	11.0		2.15	2.25
11.0		4.15	4.10	12.0		1.75	1.85
12.0		3.55	3.50	13.0		1.40	1.50
13.0		3.10	3.00	14.0		1.10	1.20
14.0		2.70	2.60	15.0		0.90	0.95
15.0		2.30	2.25	16.0		0.70	0.75
16.0		2.00	2.00	17.0			0.60
16.5		1.85	1.80				
17.0			1.75				
18.0			1.55				
19.0			1.35				
20.0			1.20				
21.0			1.05				
22.0			0.90				
23.0			0.80				
24.0			0.70				
24.5			0.65				
Standard hook	for 20 ton			Standard hook	for 20 ton		
Hook weight	230 kg			Hook weight	230 kg		
Parts line	7	4		Parts line	7	4	
Critical boom angle	—	—	—	Critical boom angle	—	—	40°

(Unit: Metric ton)

(Unit: Metric ton)

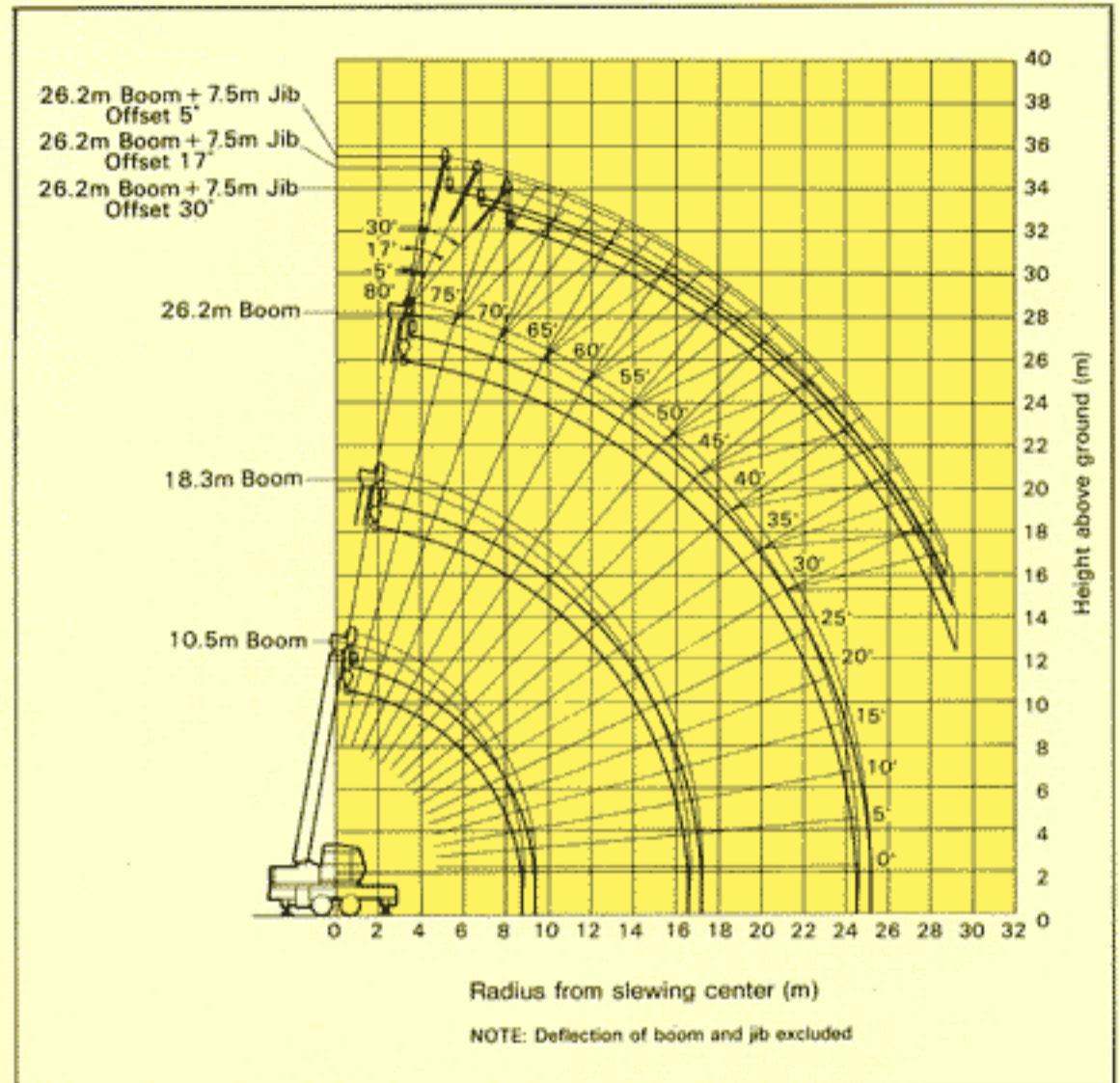
NOTES:

- The rated lifting capacities are the maximum load guaranteed on a firm level ground and include the weight of hook block and other lifting equipment. The capacities enclosed with bold lines are based on the structural strength of machine and the others are based on the stability of machine.
- The working radii as given in the table are the actual values including the deflection of the boom. Therefore, operate the machine based on the working radius. However, the working radii shown for jib operations are based on the values obtained when the boom is fully extended (26.2 m). Jib operations should be performed on the basis of boom angle only, regardless of boom length when the boom is not fully extended.
- The rated lifting capacities for the rooster sheave are equivalent to the rated lifting capacities for the main boom to a maximum of 3000 kg. At all times the weight of all lifting equipment in use (including main hook block suspended from boom head) forms part of load and must be subtracted from the rated lifting capacity.
- If the boom length exceeds the specified value, the rated lifting capacities for the boom length above and below the present boom length should be referred to, and the crane should be operated within the smaller lifting capacity.
- When using the main boom with the jib installed, 550 kg plus the weight of hook block and other lifting equipment, etc., should be subtracted from the rated lifting capacities. When performing the above operation, do not use the rooster sheave.
- The standard number of parts of line is shown in the rated lifting capacity table. When the standard number of parts of line is not used, the minimum number of parts of line is determined so that weight per part will not exceed 3000 kg.
- Without front jack, over front lifting performance is inferior to over side and over rear lifting performance. Great care should be taken when transferring from over side to over front since there is a danger of overloading.

WORKING RANGE

Outriggers fully extended with front jack – 360° full range Outriggers fully extended without front jack – over side and over rear						
Boom angle (°)	26.2 m Boom + 7.5 m Jib					
	Offset 5°		Offset 17°		Offset 30°	
	Working radius (m)	Load (t)	Working radius (m)	Load (t)	Working radius (m)	Load (t)
80.0	6.6	2.50	8.0	1.75	9.4	1.30
73.0	10.2	2.50	11.4	1.75	12.7	1.30
72.5	10.5	2.45	11.7	1.75	12.9	1.29
70.0	11.9	2.25	13.0	1.67	14.1	1.25
65.0	14.6	1.96	15.7	1.51	16.7	1.17
60.0	17.2	1.75	18.2	1.38	19.0	1.12
55.0	19.6	1.59	20.6	1.29	21.2	1.08
53.6	20.3	1.55	21.3	1.26	21.9	1.07
49.3	22.1	1.25	23.0	1.20	23.6	1.04
46.9	23.1	1.11	23.8	1.08	24.6	1.03
40.0	25.5	0.82	26.2	0.79	26.7	0.78
35.0	27.3	0.65	27.7	0.64	28.0	0.64
30.0	28.7	0.53	29.1	0.52	29.2	0.52
Standard hook	for 3 ton					
Hook weight	60 kg					
Parts line	1					
Critical boom angle	—					

(Unit: Metric ton)



Outriggers intermediately extended without front jack – 360° full range Outriggers fully extended without front jack – over front						
Boom angle (°)	26.2 m Boom + 7.5 m Jib					
	Offset 5°		Offset 17°		Offset 30°	
	Working radius (m)	Load (t)	Working radius (m)	Load (t)	Working radius (m)	Load (t)
80.0	6.6	2.50	8.0	1.75	9.4	1.30
73.0	10.2	2.50	11.4	1.75	12.7	1.30
72.5	10.5	2.45	11.7	1.75	12.9	1.29
70.0	11.9	2.26	13.0	1.67	14.1	1.25
67.3	13.2	1.77	14.5	1.58	15.5	1.21
65.2	14.3	1.46	15.5	1.31	16.7	1.18
60.0	16.9	0.90	18.0	0.82	18.9	0.78
54.5	19.4	0.52	20.4	0.48	21.3	0.46
Standard hook	for 3 ton					
Hook weight	60 kg					
Parts line	1					
Critical boom angle	50°					

(Unit: Metric ton)

- (8) Critical boom angles for each boom length are shown on bottommost line of lifting capacity table. If the boom angle is lowered to less than the critical boom angle, the machine will tip over without load. Therefore, never lower the boom below these angles.
- (9) Free fall is adopted in principle to lower the hook only. If it is necessary to lower a load by free fall, its weight should be less than 20% of the rated lifting capacity and abrupt braking should not be allowed.
- (10) The machine will tip over or be damaged if operated with a load exceeding that specified in the rated lifting capacity table or not conforming to correct handling. If such trouble occurs, the machine will not be warranted.

SUPERSTRUCTURE SPECIFICATION

Name and Type: KATO NK-200E-v FULLY HYDRAULIC TRUCK CRANE

Performance

Crane capacity: 20.0t × 3.0m, 10.5m Boom with outriggers
 12.0t × 5.0m, 18.8m Boom with outriggers
 7.0t × 7.0m, 26.2m Boom with outriggers
 3.2t × 12.5m, 10.5—26.2m Boom Rooster sheave with outriggers
 2.5t × 10.2m, 26.2m Boom + 7.5m jib (Offset 5°) with outriggers
 1.75t × 11.7m, 26.2m Boom + 7.5m jib (Offset 17°) with outriggers
 1.3t × 12.7m, 26.2m Boom + 7.5m jib (Offset 30°) with outriggers

Boom length: Basic 10.5m
 Maximum 26.2m
 Jib length: 7.5m
 Max. lifting height: 26.0m (Boom)
 34.0m (26.2m Boom + 7.5m Jib Offset 5°)
 Main hoisting line speed: 110m/min (4th layer)
 Auxiliary hoisting line speed: 95m/min (2nd layer)
 Main hook hoisting speed: 15.7m/min (4th layer of wire rope) (7-part line)
 Auxiliary hook hoisting speed: 95m/min (2nd layer of wire rope) (1-part line)
 Boom derricking time: 44sec (−3° ~ 80°)
 Boom derricking angle: −3° ~ 80°
 Slewing speed: 2.6 r.p.m.
 * speed: subject to no load

Hydraulic System

Oil pump: 4 section gear type
 Hoisting motor: Axial plunger type
 Slewing motor: Axial plunger type
 Cylinder: Double acting type
 Control vale: 3 position 4 way double acting with integral check and relief valves
 Oil reservoir capacity: 310 lit.

Superstructure

Hoisting mechanism: Hydraulic motor-driven, gear reduction type (automatic brake system) single winch × 2
 Slewing mechanism: Ball bearing type
 Boom derricking mechanism: Direct-acting cylinder type
 Outrigger system: Hydraulic, vertically supporting with float and vertical cylinder in single unit
 Front jack (option): Hydraulic, vertically supporting with float and vertical cylinder in single unit

Hoisting Ropes

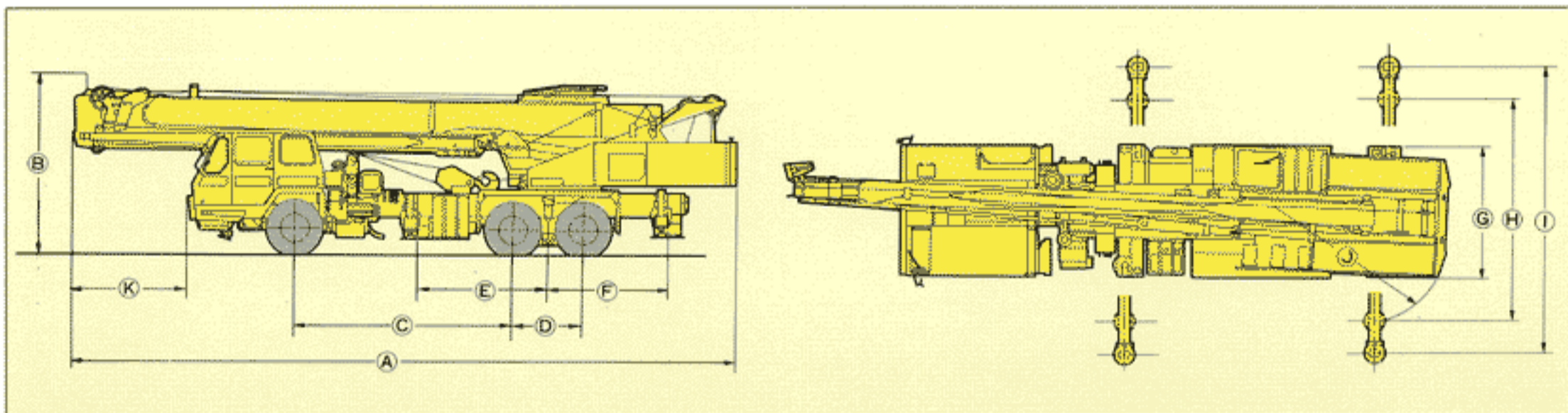
Main: 4 × F(a + 40)φ16 × 170m Non-rotating wire rope
 Auxiliary: 4 × F(a + 40)φ16 × 90m Non-rotating wire rope

Safety Device

Microcomputer type ACS fully automatic overload protection device (Moment Limiter)
 Boom falling safety device, Overhoist prevention device, Drum lock device, Automatic winch brake, Irregular winding prevention device, Hydraulic safety valve, Outrigger lock device, Slewing lock device

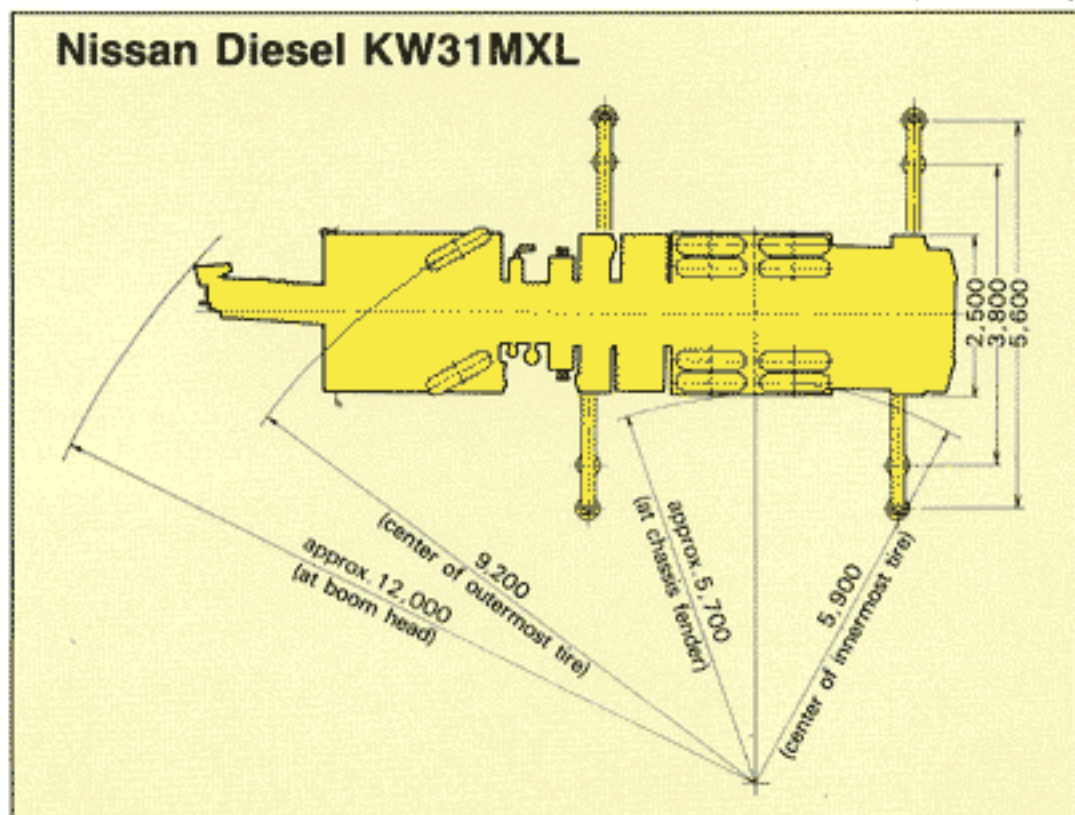
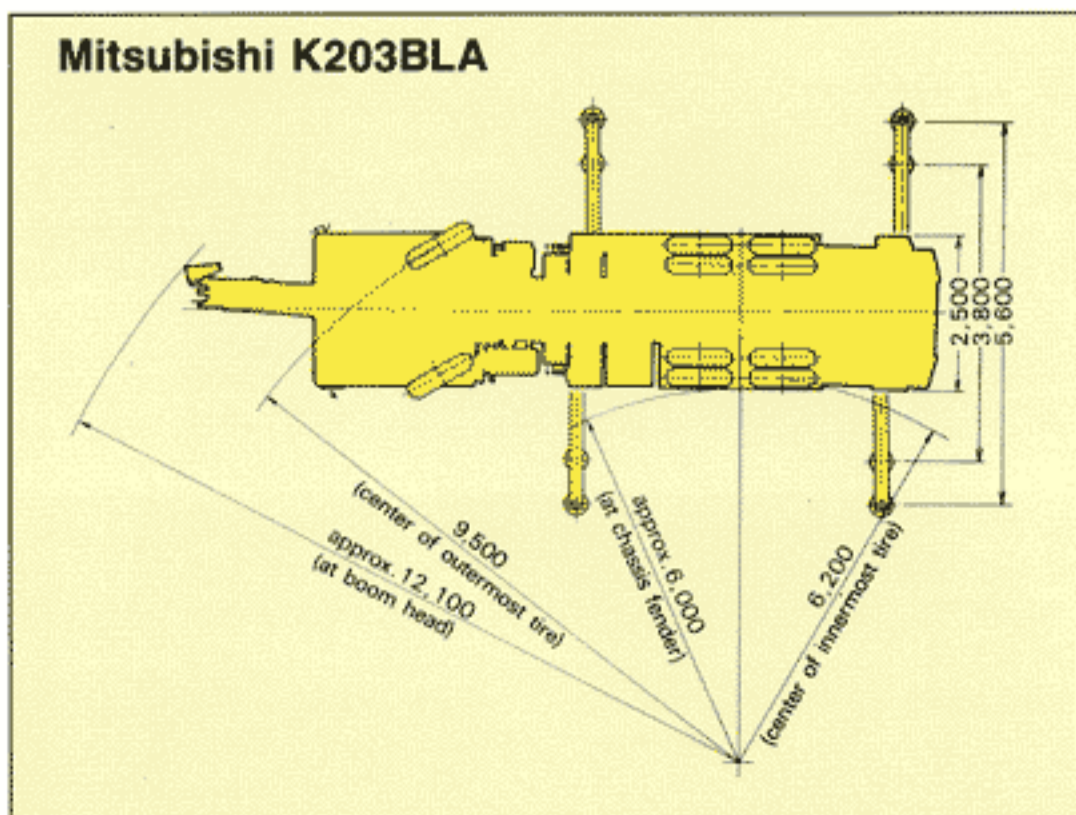
Option

Oil cooler, Front jack, Voice alarm device for ACS, Heater, fan and radio for crane cabin
 2 section fly jib (7.5 ~ 12 m)



Carrier name and model	A	B	C	D	E	F	G	H	I	J	K
Mitsubishi K203BLA	12,430	3,300	4,050	1,300	2,400	2,200	2,500	3,800	5,600	3,220	2,300
Nissan Diesel KW31MXL	12,430	3,300	4,050	1,300	2,450	2,100	2,500	3,800	5,600	3,220	2,200

(Unit: mm)



CARRIER SPECIFICATION

mitsubishi K203BLA

Maximum traveling speed:	65km/h
Gradeability (tanθ):	31% (computed, @G.V.W. = 22,200kg)
Minimum turning radius (center of extreme outer tire):	9.5m

General dimensions

Overall length:	approx. 12,430mm
Overall width:	approx. 2,500mm
Overall height:	approx. 3,300mm
Wheel base:	4,700mm
Treads:	Front 2,050mm Rear 1,845mm
Center to center of extended outriggers:	5,600mm (Fully extended) 3,800mm (Intermediately extended)
Gross vehicle weight:	approx. 22,200kg
Front	approx. 5,550kg
Rear	approx. 16,650kg

Carrier

Maker:	MITSUBISHI
Model:	K203BLA
Drive system:	6 × 4

Engine

Maker:	MITSUBISHI
Model:	6D22-1A
Type:	4 cycle, water cooled, diesel
No. of cylinder:	6-inline
Piston displacement:	11,149cc
Max. output horsepower:	225 PS/2,200 r.p.m. 165 KW/2,200 r.p.m.
Max. output torque:	78 kg-m/1,400 r.p.m. 764 N-m/1,400 r.p.m.

NOTE: The output is in accordance with JIS D1004, 1976. Rated power output guaranteed within 5% at standard ambient condition.

Clutch:	Single dry plate, hydraulic control with air booster
Transmission:	5 forward & 1 reverse speed, synchromesh and constantmesh gear Reverse "ELLIOT" type
Axles:	Front Full floating type Rear Full floating type
Steering:	Ball nut type with power booster
Suspension:	Front Semi-elliptic leaf springs with shock absorber Rear Equalizer beams and torque rods Service 2 circuit air brake, 6 wheels internal expanding type Parking & Emergency Spring loaded brake, acting on 4 rear wheels, variable air operated Auxiliary Exhaust brake
Electric system:	24V
Battery:	12V—115F51 × 2
Fuel tank capacity:	200 lit
Driver's cab:	All steel welded construction, 2 persons, low line type, offset left hand side
Tire size:	Front 10.00—20—14PR Rear (dual) 10.00—20—14PR

NISSAN DIESEL KW31MXL

Maximum traveling speed:	71km/h
Gradeability (tanθ):	36% (computed, @G.V.W. = 21,900kg)
Minimum turning radius (center of extreme outer tire):	9.2m

General dimensions

Overall length:	approx. 12,430mm
Overall width:	approx. 2,500mm
Overall height:	approx. 3,300mm
Wheel base:	4,700mm
Treads:	Front 2,025mm Rear 1,860mm
Center to center of extended outriggers:	5,600mm (Fully extended) 3,800mm (Intermediately extended)
Gross vehicle weight:	approx. 21,900kg
Front	approx. 5,850kg
Rear	approx. 16,050kg

Carrier

Maker:	NISSAN DIESEL
Model:	KW31MXL
Drive system:	6 × 4

Engine

Maker:	NISSAN DIESEL
Model:	PE6
Type:	4 cycle, water cooled, diesel
No. of cylinder:	6-inline
Piston displacement:	11,670cc
Max. output horsepower:	230 PS/2,200 r.p.m. 169 KW/2,200 r.p.m.
Max. output torque:	83 kg-m/1,300 r.p.m. 813 N-m/1,300 r.p.m.

NOTE: The output is in accordance with JIS D1004, 1976.

Clutch:	Single dry plate
Transmission:	6 forward & 1 reverse speed, Reverse "ELLIOT" type
Axles:	Front Full floating type Rear Full floating type
Steering:	Ball nut type with power booster
Suspension:	Front Semi-elliptic leaf springs with shock absorber Rear Equalizer beams and torque rods Service 2 circuit air brake, 6 wheels internal expanding type Parking Mechanical, acting on propeller shaft Auxiliary Exhaust brake
Electric system:	24V
Battery:	12V—115F51 × 2
Fuel tank capacity:	200 lit
Driver's cab:	Steel, two men, semi under floor type one side cab
Tire size:	Front 10.00—20—16PR Rear (dual) 10.00—20—16PR

جرثقیل پارمیس